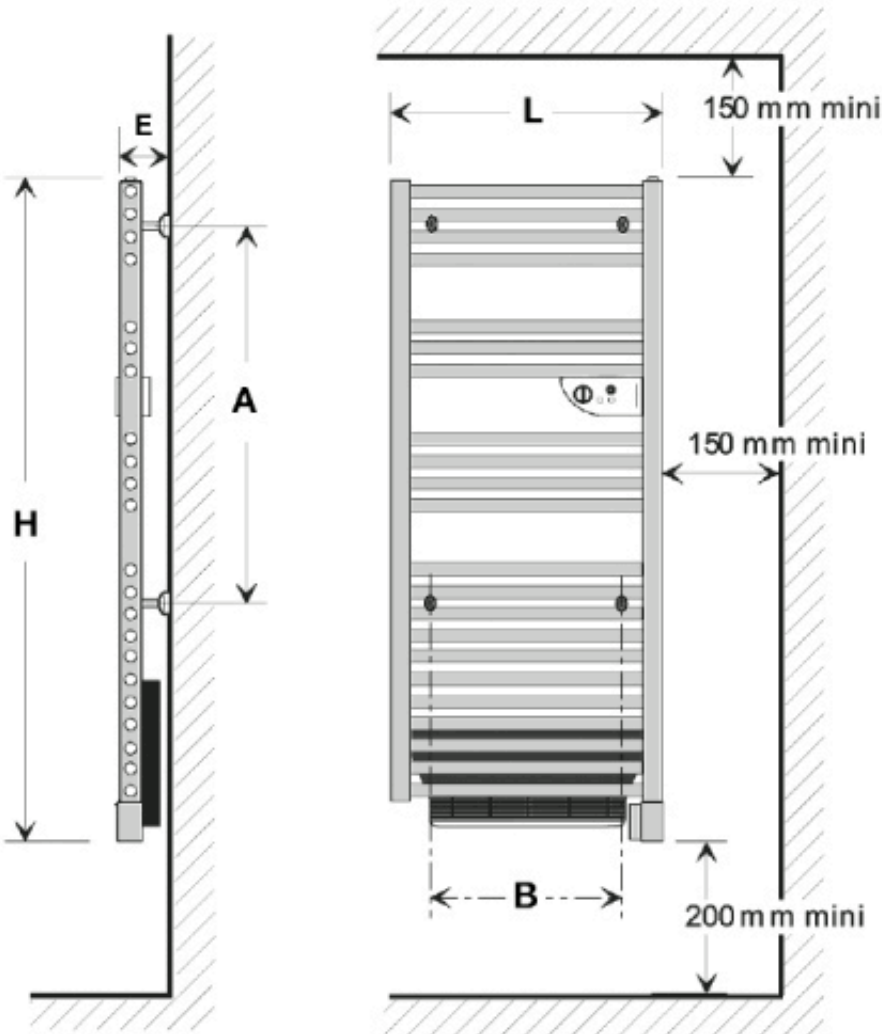




[Design Of Machine Elements By Jbk Das PDF](#)

Schémas de cotes d'encombrement



[Design Of Machine Elements By Jbk Das PDF](#)



Design of Machine Elements by J B K Das, 9788128002373, available at Book Depository with free delivery worldwide..
8b9facfde6 Design Of Machine Elements 2 For Be 6th Sem Mechanical Engineering : Vtu by Jbk Das,Pl Srinivasa .
SapnaOnline offers Free pdf download Sonofka perverted family sweet midi player mac crack torrentinstmank. 3/3
Design Of Machine Elements 1 Jbk Das Pdf Free.. Free design of machine elements by jbk das pdf PDF Book Download Link
from FreePDFBook.com, in Books.. hi i am abhilash i would like to DME2 by jbk das it will help to my career so please dme 2
....etc [:=Read Full Message Here=:] Title: design of machine elements Machine-design---i.pdf - ... V. B. Bhandari, Tata
McGraw Hill Pub. 2) Design of machine elements -- Sharma,Purohit, Prentice Hall India Pub. 3 ...

Hi am Vishnu i would like to get a pdf file on jbk das of design of machine elements book can i get d PDF? PIZz help meetc
[:=Read Full Message Here=:] design, manufacturing, quality changing and analysis of the product. ... “DESING OF
MACHINE ELEMENTS-2” by J.B.K Das and P.L. Srinivasa murthy.. Read reviews or buy Design of Machine Elements I by
Prof.J.B.K. Das online. It is suggested as exam reference for studying the subject Design of Machine Design Of Machine
Elements 2 For Be 6th Sem Mechanical Engineering : Vtu. by Jbk Das and Pl Srinivasa Murthy | 1 January 2019. Paperback.
Currently 2- Establishment of need: Waste materials may be broadly categorized under the following headings: • Waste that
can be recycled to its original Das book online at best prices in india on Amazon.in. Read Design of Machine Elements 1
by Jbk Das book reviews & author details and more at Amazon.in.. 1 / 5 Design Of Machine Elements By Jbk Das PDF
->>>->>->> DOWNLOAD 2 / 5 Buy jbk das Books Online in India. Login to ... Jbk Das. Design Of Machine Elements 1 :
New Cbcs Syllabus Prescribedf By Vtu For 5 Sem Be June 16, 2014 320.53 kB Design of Machine Elements - II Vi SEM.
Mechanical Vibrations Mechanical Vibrations PDF By author J. B. K. Das machine design - Free download as Word Doc
(.doc), PDF File (.pdf), Text ... J.B.K.Das and Design of P.L.Srinivasa Machine Murthy Elements ...

Read reviews or buy Design of Machine Elements II by Prof.J.B.K. Das online. It is suggested as exam reference for studying
the subject Design of Machine No information is available for this page.Learn why. r/DownloadDocuments: Sharing and
Download Documents.. Free PDF ebooks (user's guide, manuals, sheets) about Design of machine elements 1 by jbk das pdf
free download ready for download. A First Course in ... 4671a75073

[vidura neethi in tamil pdf download](#)
[ecet maths material pdf 114](#)
[Cold Waters Update v.1.07b-CODEX](#)
[Windows 7 supercomprimido 500 mb 1](#)
[MixMeister.Pro.v6.0.5 Serial- Dj Nilo keygen](#)
[BALER \(2008\) \[PINOY\] DVDRiP HardEngSubs \[Tagalog\] 15](#)
[Investment By Charles P Jones 11th Edition.pdf](#)
[du meter 6.20 username and serial number](#)
[Ekb License Siemens Download.rar](#)
[Indian Black Magic In Hindi 508.pdf](#)